

PHASE TWO

AREAS OF INTERPRETIVE FOCUS

1. ENTRY
2. WELCOME / ORIENTATION
3. VISITOR CENTER
4. HISTORIC ENTRANCE
5. HACIENDA (Cabaña, Deedie's House)
6. RANCH LIFE



ARTEFACT DESIGN
 POB 102
 Cardiff, CA 92007
 T: 760 944-3502
 ARTEFACTID.COM

Project Name:
 Leo Carrillo Ranch
 Historical Park: Phase 2
 Interpretive Signage

Drawing Title:
 Location Plan

Sign Type: n/a

Quantity: n/a

Scale: n/a

Client:

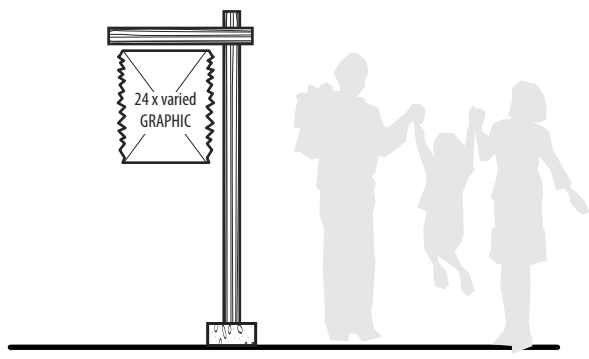
 City of Carlsbad
 Parks & Recreation Dept.
 799 Pine Ave., Suite 200
 Carlsbad, CA 92008
 www.carlsbadca.gov

Phase:
 DESIGN
 DEVELOPMENT

Approved:
 ___ As Is ___ With Changes

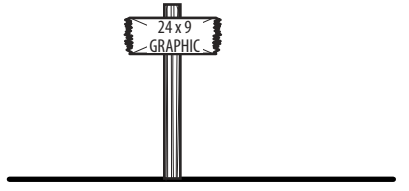
Initials: _____

Date: _____



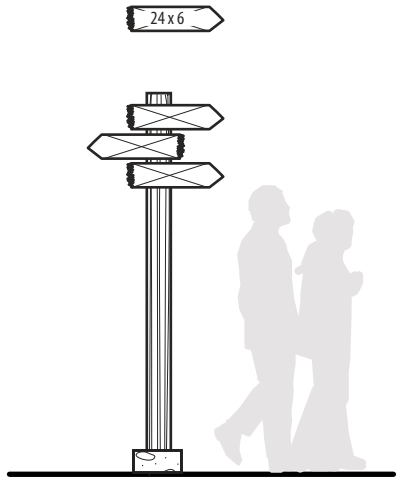
ST.C - Primary Rustic (2)

- White painted wood w/ jagged edges, routed text paint-filled black
- Wood support, paint white
- Adobe-look base



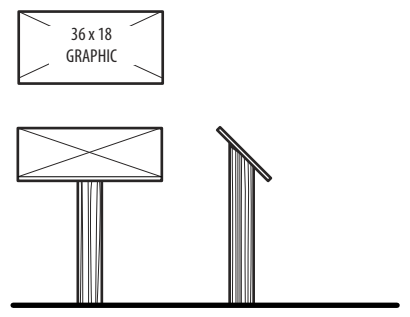
ST.D - Secondary Rustic ID (1)

- Brown painted wood w/ jagged edges, routed text paint-filled white
- Wood support, paint brown



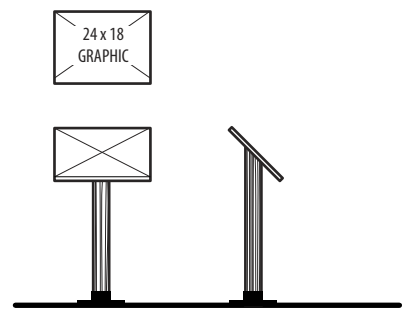
ST.E - Directional Rustic (3)

- White painted wood w/ jagged one side, point other side, routed text paint-filled black
- Wood support, paint white
- Adobe-look base



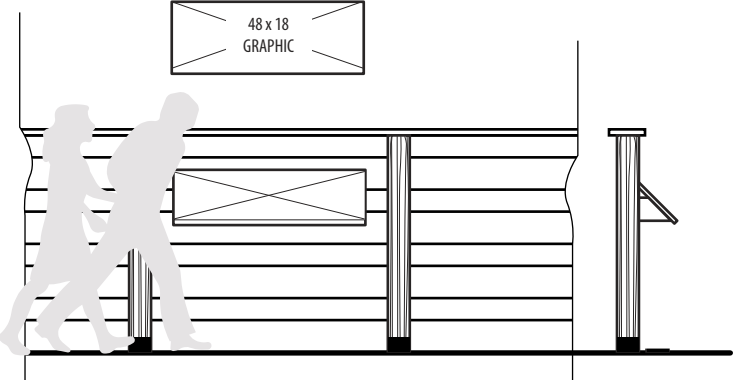
ST.F - Primary Interpretive (5)

- 36"W x 18"H interpretive panels on rustic wood support
- Adobe-look base



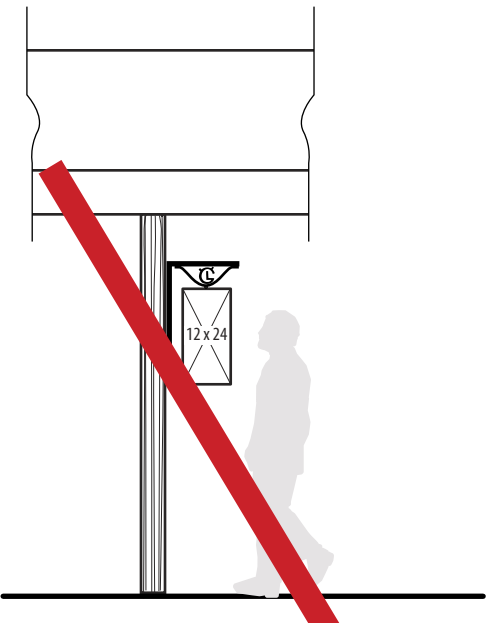
ST.G - Secondary Interpretive (7)

- 24"W x 21"H interpretive panels on rustic metal and wood support



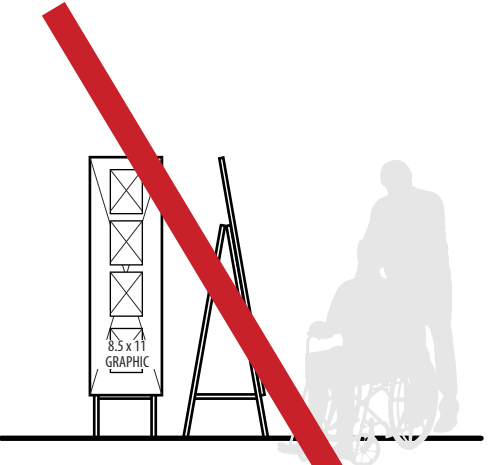
ST.H - Bridge (2)

- 48"W x 18"H interpretive panels attached to bridge structure



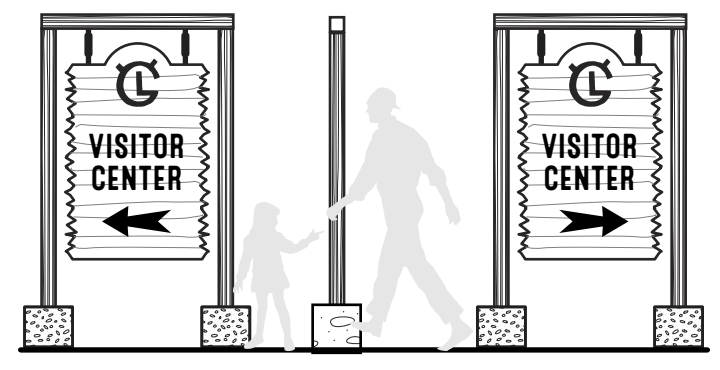
ST.I - Hacienda Hanging Reg/Info (2)

- 12"W x 24"H panels on rustic forged metal hanging support w/ LC logo



ST.J - Outdoor Changeable Display (1)

- 18"W x 60"H panel on rustic, moveable stand



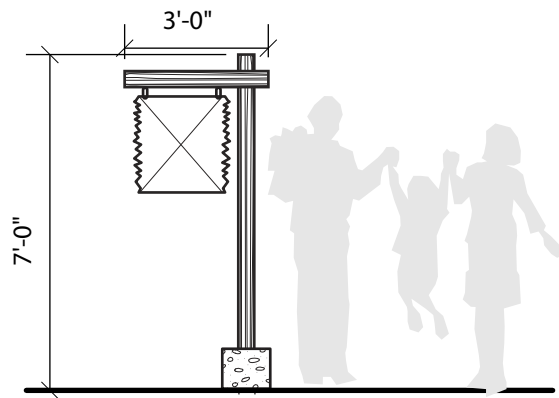
ST.K Visitor Center ID (1)

- ~48"W x 84"H x 12"D rustic wood support, paint white
- White painted double-sided wood panel w/ jagged edges, routed text paint-filled black
- Adobe-look base, paint white

PLEASE NOTE:
 Drawings are for concept purposes only. Final design, art, construction methods, materials, and finishes are TO BE DETERMINED.

Phase:
 DESIGN
 DEVELOPMENT

Approved:
 ___ As Is ___ With Changes
Initials: _____
Date: _____



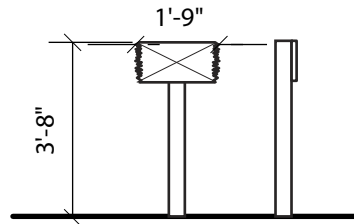
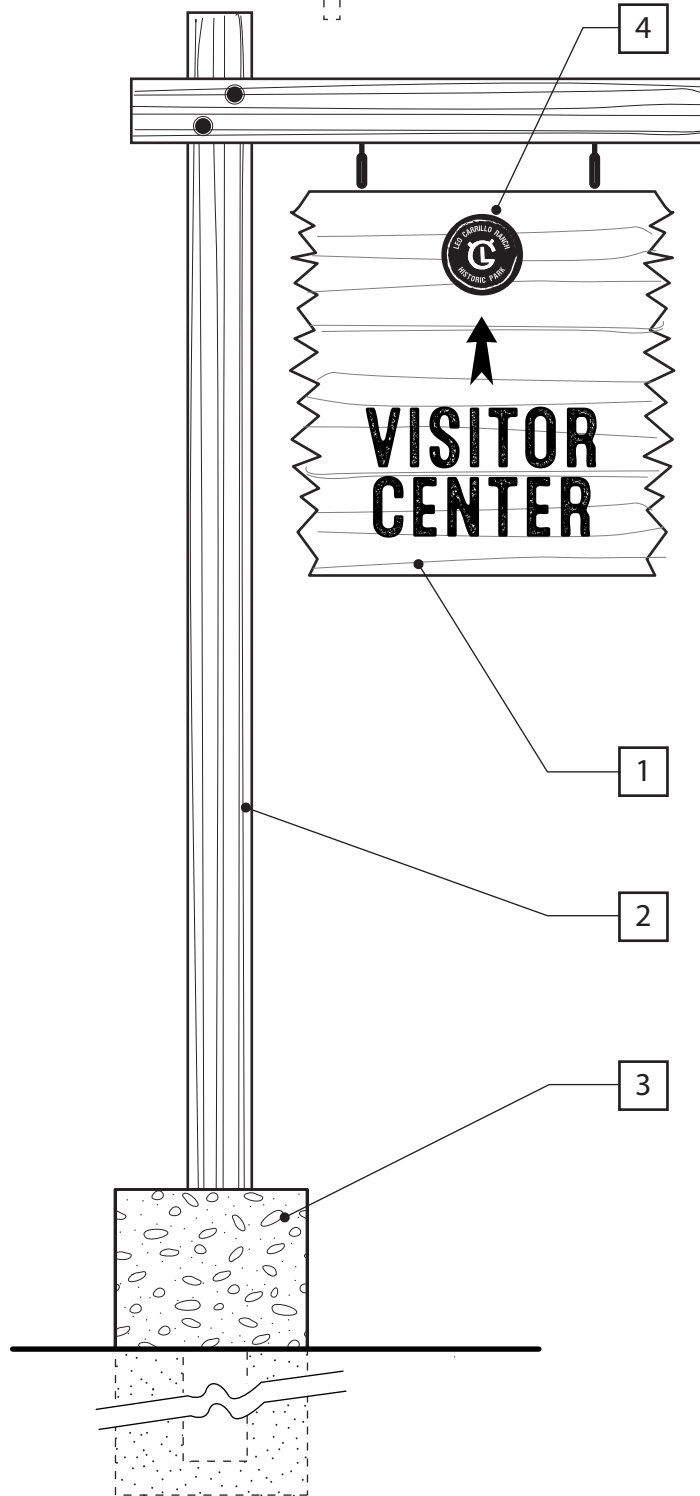
ST.C - Primary Rustic (Directional, ID)

1. Graphic panel: 24"W x 24"H x 1.5"D redwood panel, paint white w/ routed, paint-fill black text and rough cut edges to match existing, attach to post w/ (2) black rustic fasteners
2. Use existing support structure: 36"W 4"x 4" horz. and 72"H AFF 4"x 4" vert. rough-cut redwood, paint white to match existing
3. Base: ~12"W x 10"H x 12"D adobe brick look (distressed slump block), paint white

4. 5" dia .25" alum brand graphic attach to panel face

Slump block source:
http://www.rcpblock.com/block_slump-shapes.html

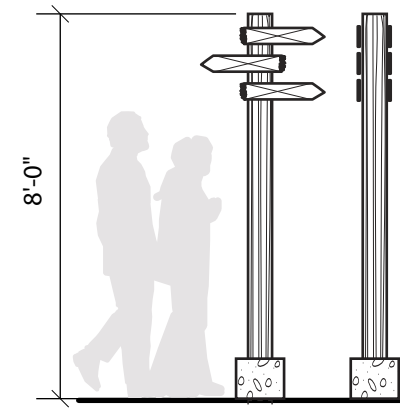
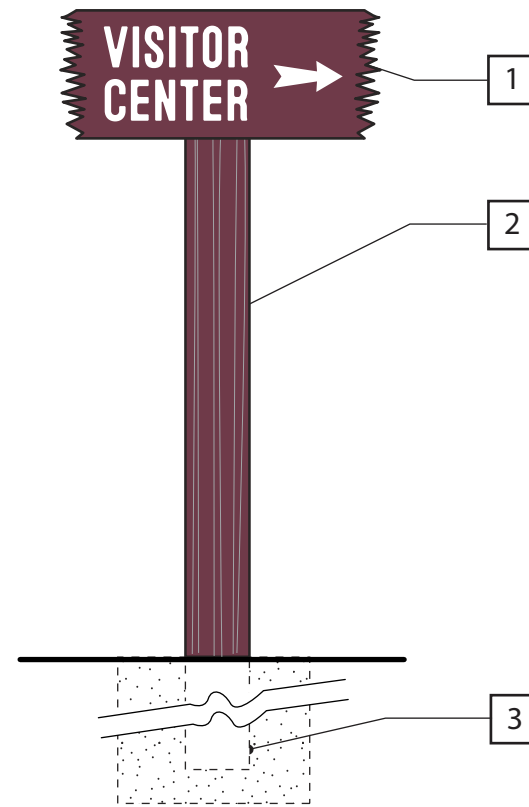
- ~~~~~
- Artefact to supply all graphic files.
- Match existing:
- All wood rough hewn, aged look
 - All routed text hand cut look
 - Stainless steel mounting and security hardware
 - Installation of all elements



ST.D - Secondary Rustic ID

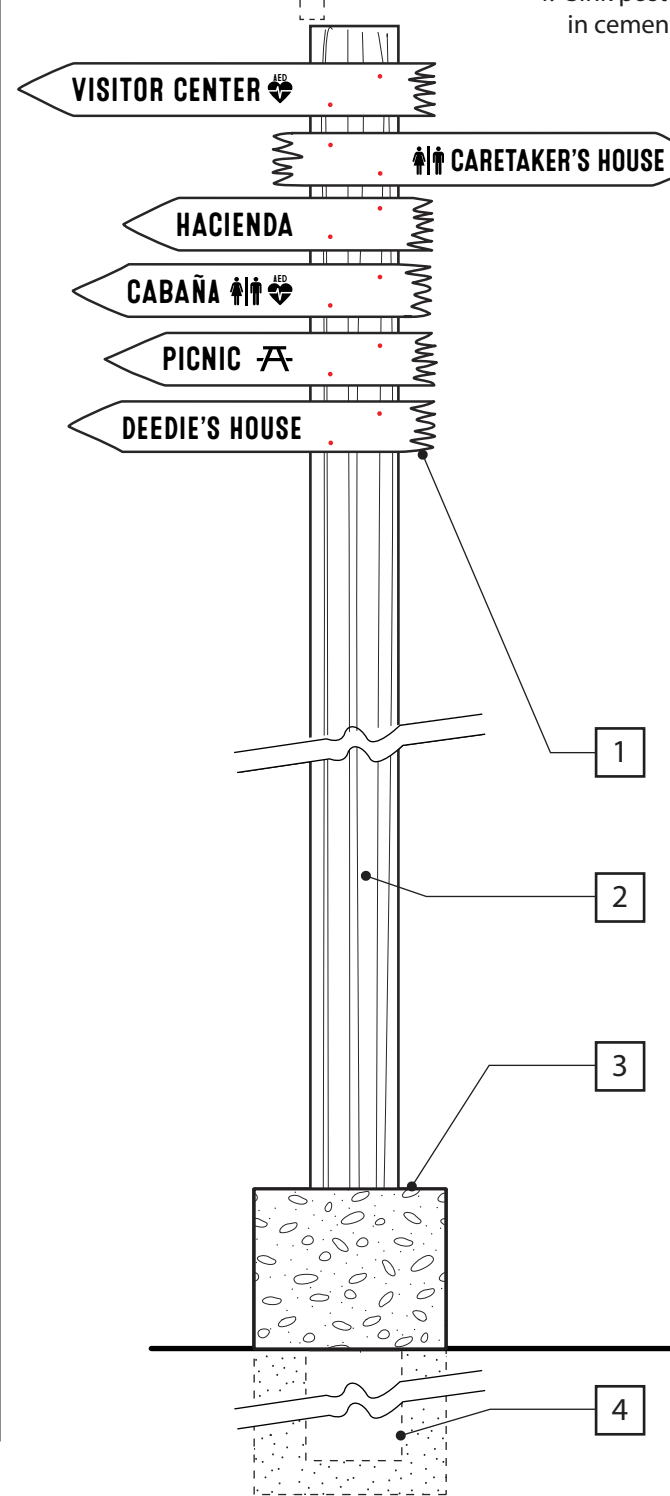
1. Graphic panel: 21"W x 9"H x 1.5"D redwood graphic panel, paint Behr Redwood #502, rout and paint-fill reflective white text w/ rough cut edges, attach to post
2. Support structure: 44"H AFF 4"x 4" rough-cut hardwood, paint Behr Redwood #502
3. Sink post ~24" below surface in cement

- ~~~~~
- Artefact to supply all graphic files.
- Match existing:
- All wood rough hewn, aged look
 - All routed text hand cut look
 - Paint Behr Redwood #502
 - Stainless steel mounting and security hardware



ST.E - Directional Rustic

1. Graphic panel: 24"W x 4"H x .5"D wood plank graphic panel, paint white w/ routed, paint-fill black text and rough cut edges to match existing, attach to post
2. Support structure: 96"H AFF 6"x 6" vert. rough-cut hardwood, paint white to match existing
3. Base: ~12"W x 10"H x 12"D adobe brick look (distressed slump block), paint white
4. Sink post ~24" below surface in cement



ARTEFACT DESIGN
 POB 102
 Cardiff, CA 92007
 T: 760 944-3502
 ARTEFACTID.COM

Project Name:
 Leo Carrillo Ranch
 Historical Park: Phase 2
 Interpretive Signage

Drawing Title:
 Sign Type Menu

Sign Type: as noted

Quantity: as noted

Scale: 1" = 1'-0"

Client:

 City of Carlsbad
 Parks & Recreation Dept.
 799 Pine Ave., Suite 200
 Carlsbad, CA 92008
www.carlsbadca.gov

PLEASE NOTE:
 Drawings are for concept purposes only. Final design, art, construction methods, materials, and finishes are TO BE DETERMINED.

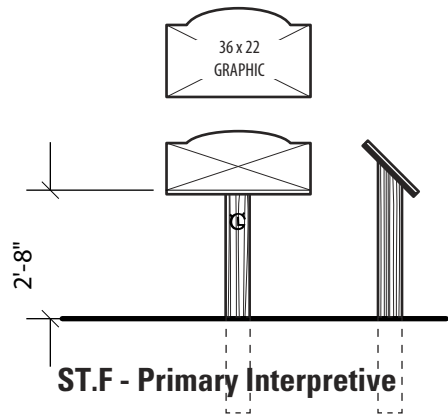
Phase:
 DESIGN DEVELOPMENT

Approved:
 ___ As Is ___ With Changes

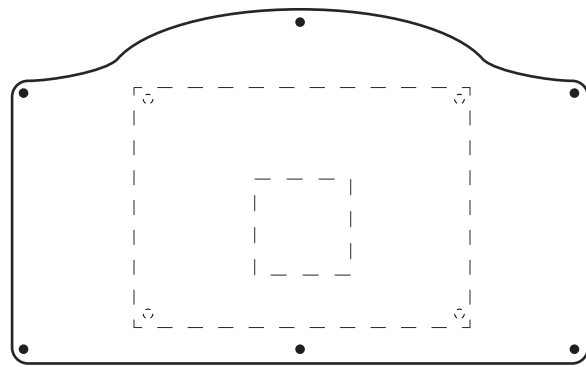
Initials: _____

Date: _____

Date: 14 June 2018
Sheet #: Page 3



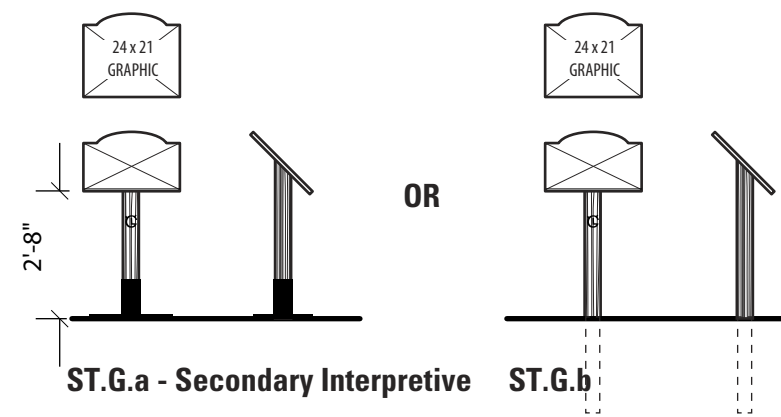
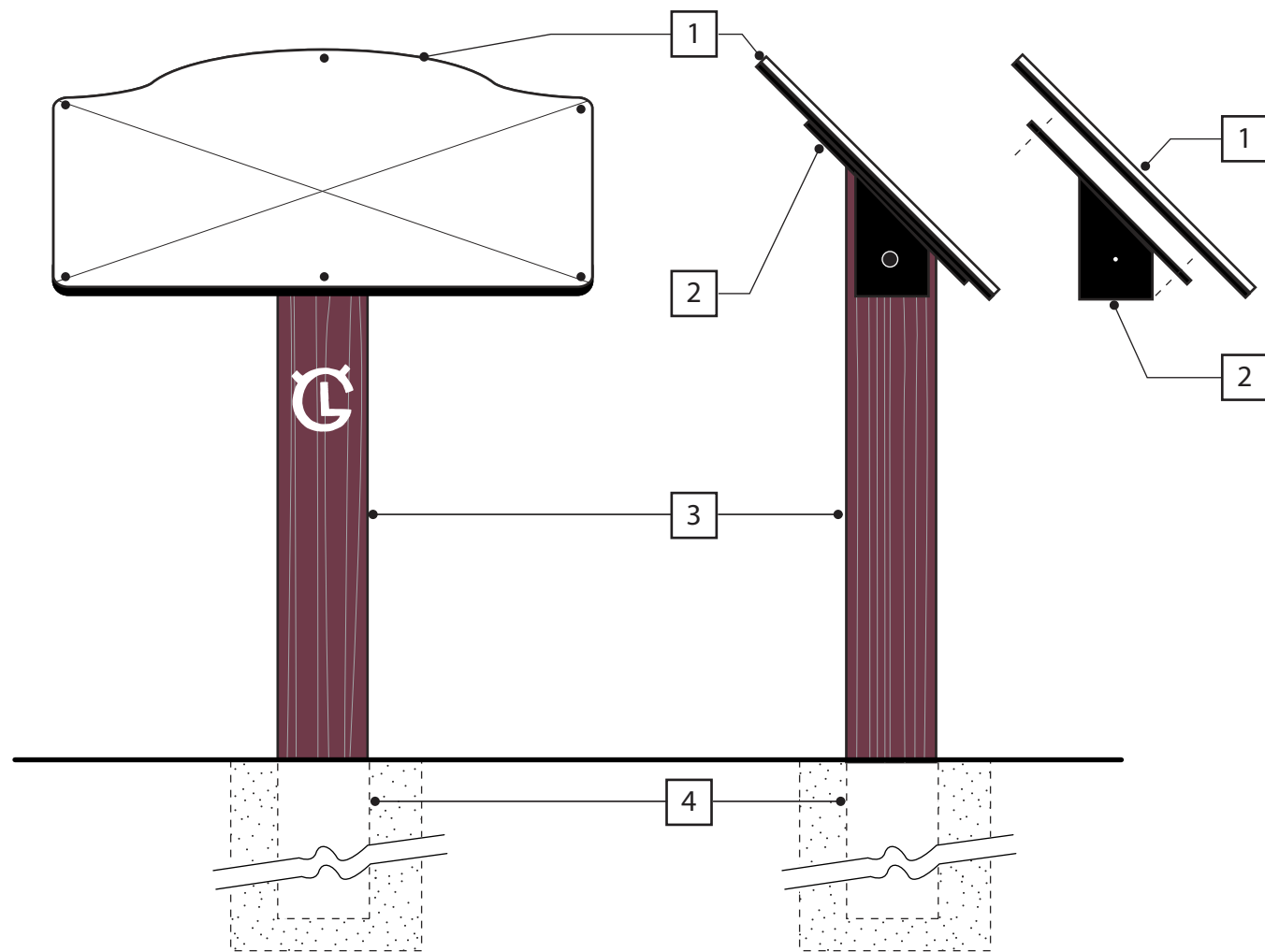
1. Graphic panel: 36"W x 22"H x .25"D custom shape .25" clr acrylic w/ vinyl print second surface, attach to .25"D alum backer, paint black, w/ (6) sst fasteners, attach to mount from behind with sst fasteners
2. Mount: 21"W x 15"H x .375"D alum plate, attach to ~6"W x 8"H x 5"D .25" alum saddle, paint black, attach mount to support structure — **final attachment details TBD with prototype**
3. Support structure: 6"W x 6"D x ~60"H rough-cut hardwood, paint Behr Redwood #502, hand-forged routed LC brand, paint-fill white, 45° sign mount
4. Sink post ~24" below surface in cement



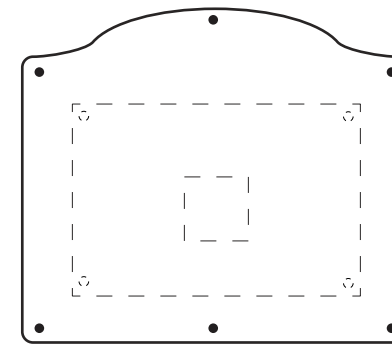
Artefact to supply all graphic files.

Match existing:

- All wood rough hewn, aged look
- All routed text hand cut look
- Stainless steel mounting and security hardware
- Installation of all elements



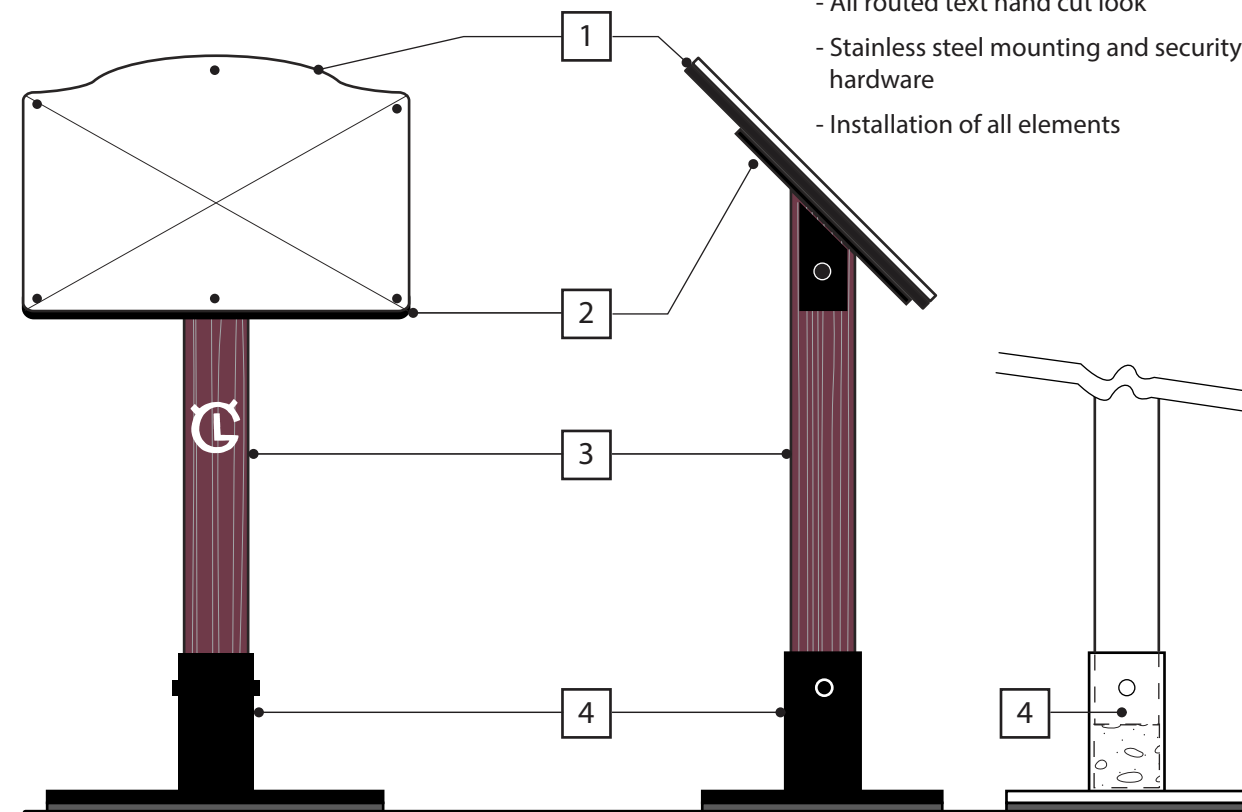
1. Graphic panel: 24"W x 21"H x .25"D custom shape .25" clr acrylic w/ vinyl print second surface, attach to .25"D alum backer, paint black, w/ (6) sst fasteners, attach to mount from behind with sst fasteners
2. Mount: 18"W x 12"H x .375"D alum plate, attach to ~4"W x 7"H x 3"D .25" alum saddle, paint black, attach mount to support structure — **final attachment details TBD with prototype**
3. Support structure: 4"W x 4"D x ~36"H rough-cut hardwood, paint Behr Redwood #502, routed LC brand, paint-fill white, 45° sign mount
4. Base: 4"W x 10"H x .25" alum sleeve on 21"W x 15"L x .25"D alum weighted base w/ carriage bolt, paint black. Weight w/ sand/rock mix. Heavy felt bottom liner.



Artefact to supply all graphic files.

Match existing:

- All wood rough hewn, aged look
- All routed text hand cut look
- Stainless steel mounting and security hardware
- Installation of all elements



ARTEFACT DESIGN
 POB 102
 Cardiff, CA 92007
 T: 760 944-3502
 ARTEFACTID.COM

Project Name:
 Leo Carrillo Ranch
 Historical Park: Phase 2
 Interpretive Signage

Drawing Title:
 Sign Type Menu

Sign Type: as noted

Quantity: as noted

Scale: 1" = 1'-0"

Client:

 City of Carlsbad
 Parks & Recreation Dept.
 799 Pine Ave., Suite 200
 Carlsbad, CA 92008
 www.carlsbadca.gov

PLEASE NOTE:
 Drawings are for concept purposes only. Final design, art, construction methods, materials, and finishes are TO BE DETERMINED.

Phase:
 DESIGN DEVELOPMENT

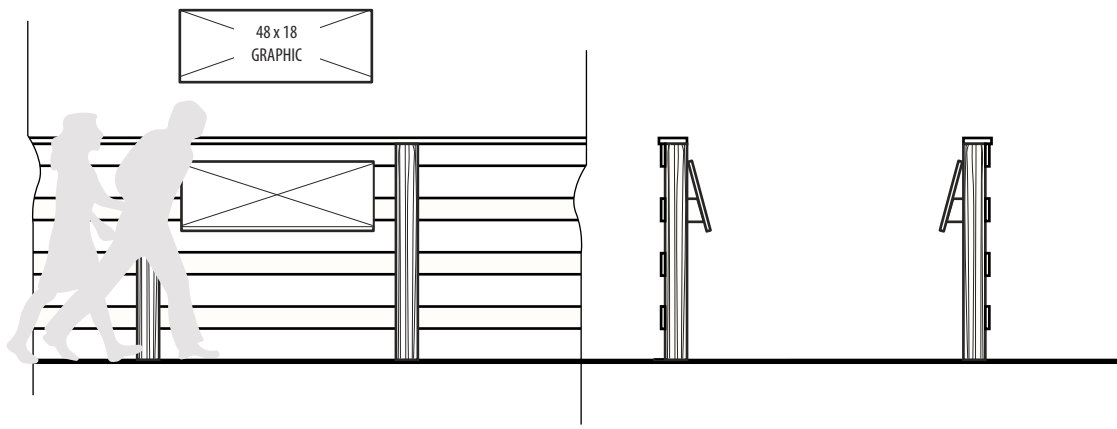
Approved:
 ___ As Is ___ With Changes

Initials: _____

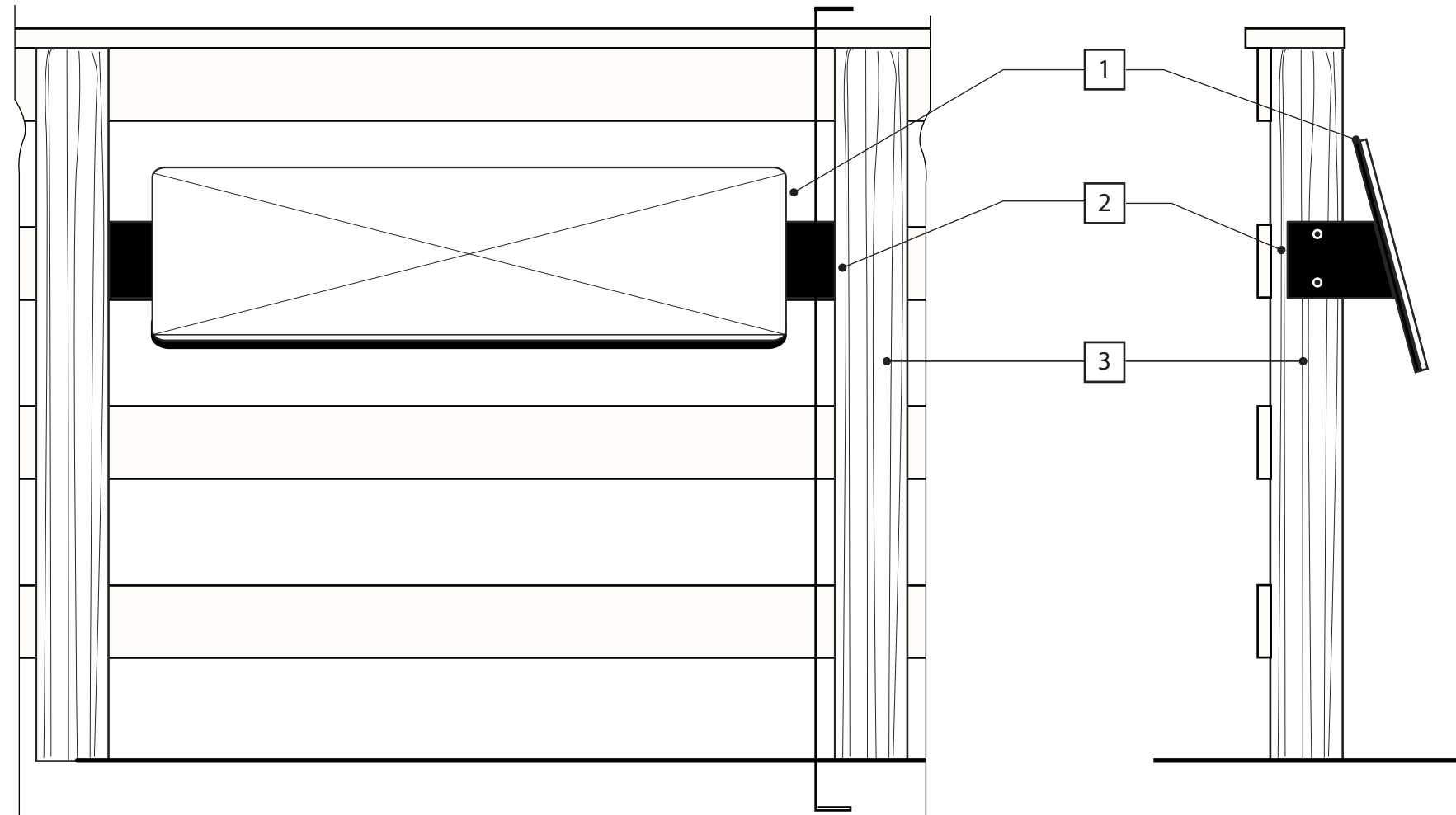
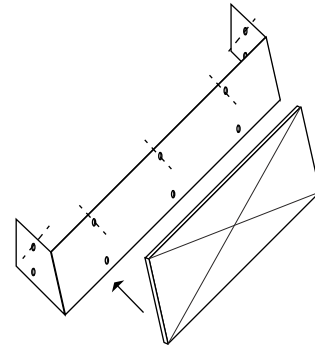
Date: _____

Date: 14 June 2018

Sheet #: Page 4



ST.H - Bridge



1. Graphic panel: 48"W x 18"H x .25"D custom shape .25" clr acrylic w/ vinyl print second surface, attach to .25"D alum backer, paint black, w/ (6) sst fasteners, attach to mount from behind with sst fasteners
2. Mount (15°): ~55"W x 6"H x 8"D .25 aluminum, paint black — **verify all measurements in the field**
3. Support structure: Attach mount to existing bridge structure — **final attachment details TBD**

~~~~~

Artefact to supply all graphic files.

Match existing:

- All painted metal aged and hand-forged look
- Stainless steel mounting and security hardware
- Installation of all elements



**ARTEFACT DESIGN**  
 POB 102  
 Cardiff, CA 92007  
 T: 760 944-3502  
 ARTEFACTID.COM

**Project Name:**

Leo Carrillo Ranch  
 Historical Park: Phase 2  
 Interpretive Signage

**Drawing Title:**


Sign Type Menu

**Sign Type:** as noted

**Quantity:** as noted

**Scale:** 1" = 1'-0"

**Client:**

  
 City of Carlsbad  
 Parks & Recreation Dept.  
 799 Pine Ave., Suite 200  
 Carlsbad, CA 92008  
 www.carlsbadca.gov

**PLEASE NOTE:**  
 Drawings are for concept purposes only. Final design, art, construction methods, materials, and finishes are TO BE DETERMINED.

**Phase:**

DESIGN  
 DEVELOPMENT

**Approved:**

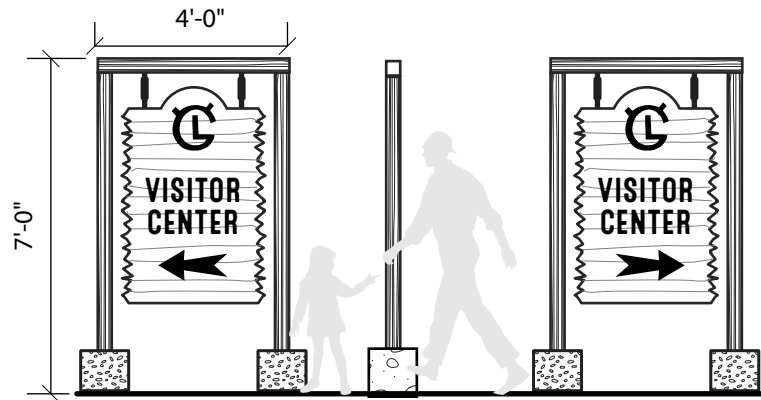
\_\_\_ As Is \_\_\_ With Changes

**Initials:** \_\_\_\_\_

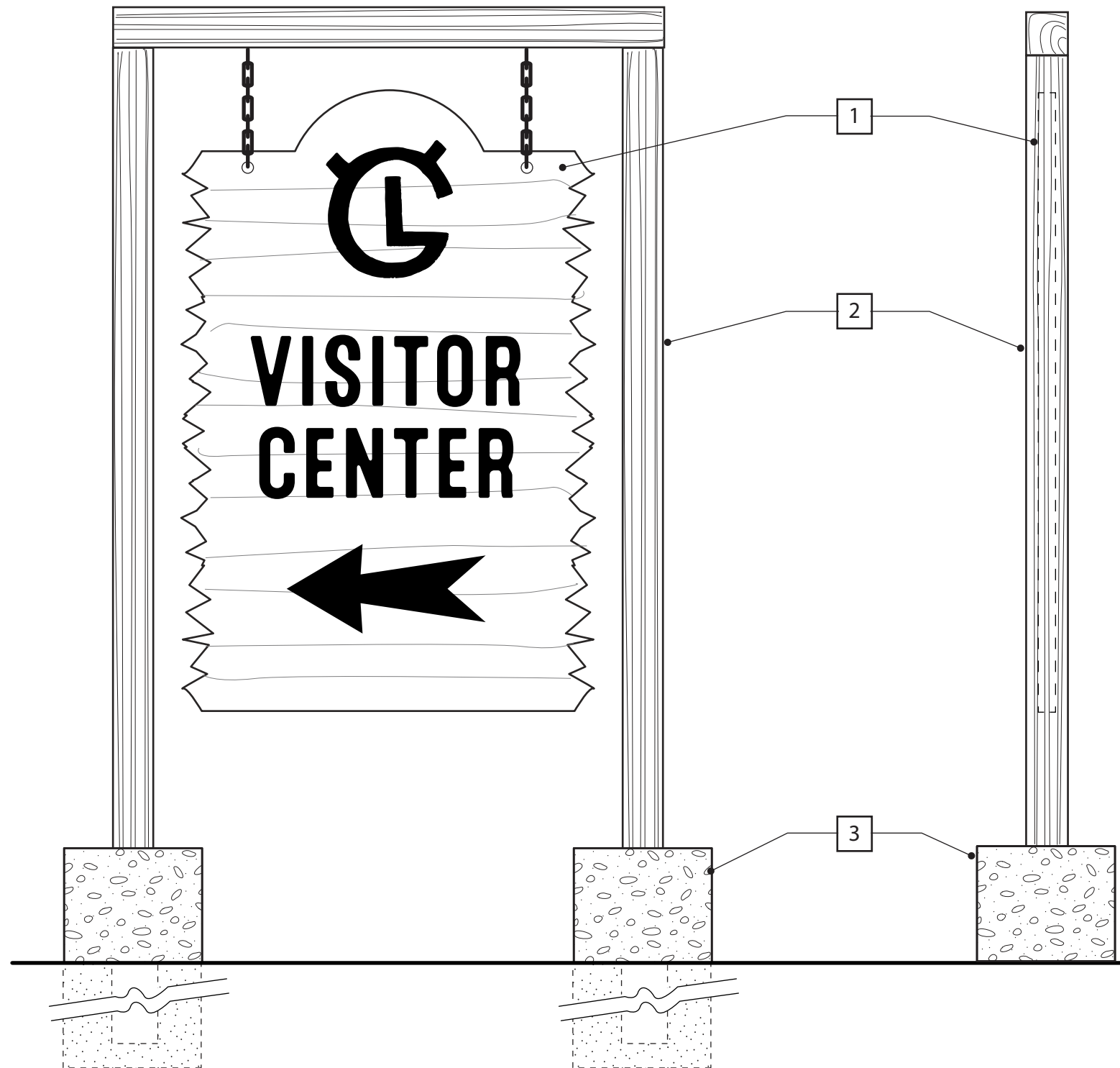
**Date:** \_\_\_\_\_

**Date:** 14 June 2018

**Sheet #:** Page 5



ST.K Visitor Center ID



1. Graphic panel: 36"W x 52"H x 1.5"D redwood panel, double-sided, paint white w/ routed, paint-fill black text and rough cut edges to match existing, attach to post w/ (2) ~9"L rusted chain link fasteners
2. Support structure: (1) ~48"W 4"x 4" horz. and (2) ~80"H AFF 4"x 4" vert. rough-cut redwood, paint white to match existing
3. Base: ~12"W x 10"H x 12"D adobe brick look (distressed slump block), paint white

Artefact to supply all graphic files.

Match existing:

- All painted metal aged and hand-forged look
- Stainless steel mounting and security hardware
- Installation of all elements



**ARTEFACT DESIGN**

POB 102  
 Cardiff, CA 92007  
 T: 760 944-3502  
 ARTEFACTID.COM

**Project Name:**

Leo Carrillo Ranch  
 Historical Park: Phase 2  
 Interpretive Signage

**Drawing Title:**


Sign Type Menu

**Sign Type:** as noted

**Quantity:** as noted

**Scale:** 1" = 1'-0"

**Client:**

  
 City of Carlsbad  
 Parks & Recreation Dept.  
 799 Pine Ave., Suite 200  
 Carlsbad, CA 92008  
 www.carlsbadca.gov

**PLEASE NOTE:**  
 Drawings are for concept purposes only. Final design, art, construction methods, materials, and finishes are TO BE DETERMINED.

**Phase:**

DESIGN  
 DEVELOPMENT

**Approved:**

\_\_\_ As Is \_\_\_ With Changes

**Initials:** \_\_\_\_\_

**Date:** \_\_\_\_\_

**Date:** 31 May 2018

**Sheet #:** Page 6